

STANDARD LARGE CAGE (W) 5M X (L) 7M

PLEASE NOTE: A mallet is usually required to tap the joiners into the tubes. Please ensure the joiners are fully submerged into the aluminium.

CONTENTS

20	ALUMINIUM TUBING 2.2M
13	ALUMINIUM TUBING 2M
18	ALUMINIUM TUBING 1.5M
4	LARGE JOINER CORNER
10	LARGE JOINER TEE
6	LARGE JOINER CROSS
20	LARGE ANCHORS

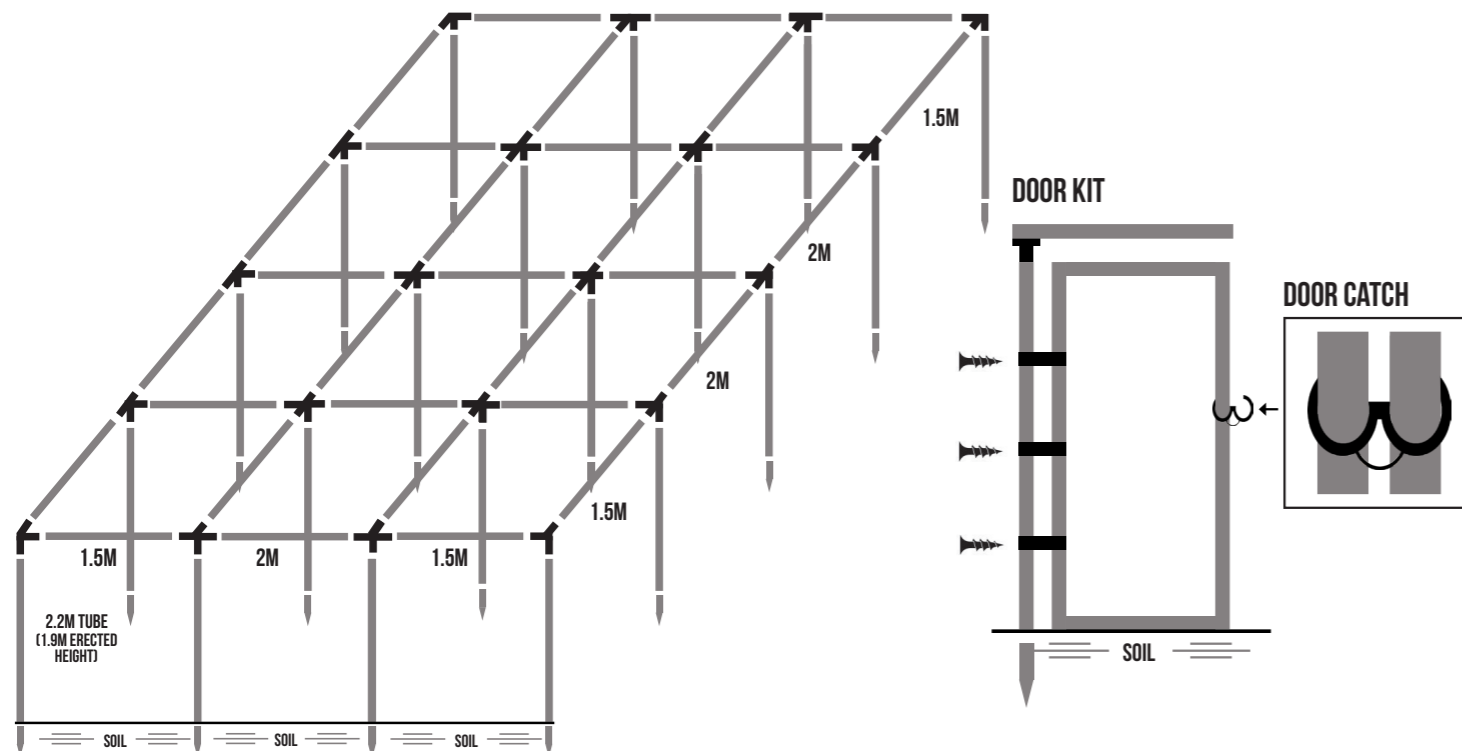
IF ORDERED WITH COVER

1	COVER (ROOF) 6M X 7.5M
1	COVER (SIDE) 2M X 24M
50	NET CLIPS
48	STEEL PEGS
1	CABLE TIE LARGE (PACK OF 100)

DOOR CONTENTS

1	ALUMINIUM TUBING 2.2M
2	ALUMINIUM TUBING 1.854M
2	ALUMINIUM TUBING 750MM
1	JOINER DOOR UPRIGHT TUBE CLIP (Y JOINER)
1	LARGE ANCHORS

1	DOOR CATCH
4	LARGE JOINER DOOR CORNER
3	DOOR HINGE JOINT
3	SELF-TAPPING SCREWS



STANDARD LARGE CAGE (W) 5M X (L) 7M

PLEASE NOTE: A mallet is usually required to tap the joiners into the tubes. Please ensure the joiners are fully submerged into the aluminium.

ASSEMBLY PROCESS

STEP 1: Ensure that the area where you are going to put the cage is flat and level. Mark out the 4 corners of the cage, ideally with string-lines. Taking this extra time at this point will save time with the cage erection.

STEP 2: (Build the door)

Slide the 3 hinges onto one of the 1.85m tubes. Join the 2 x 750mm & 2 x 1.85m tubes with the door corners, creating the frame. Slide the open side of the hinges onto the 2.2m upright tube. Tap in the 'self-tapping' screws on this side to stop the hinges from moving. Push the Y connector into the top of the 2.2m tube.

STEP 3: (Build the cage a section at a time)

Mallet the pointed anchors into the ground, leaving 1/2 inch still visible. If you do not have a mallet, use a hammer and piece of wood.

STEP 4: Push the joiners into the upright (2.2m) poles as per diagram (they may need a little tap with the mallet) Slot the 2.2m uprights into the ground anchors ensuring that the poles are upright and level. Put the crossbars in section by section as per diagram, checking with the spirit level that the poles are upright and level.

STEP 5: (Fit the door)

The door can be fitted anywhere on the cage but must be positioned so that the right-hand side (if you are stood outside the cage) is next to an upright (2.2m pole) to enable the door catch to be fitted. Then connect the Y joiner to the crossbar above the door.

STEP 6: Push the remaining ground anchor into the ground around approx. 800mm from the upright. Take the 2.2m pole with the Y connector (this will have the door frame attached to it also) and push it up onto the crossbar, slotting it into the anchor at the same time. Take the door catch and push onto the two poles.

(If ordered with cover)

To attach the netting, take the 'side' netting and start at the upright with the door catch on: secure the netting with cable ties (4 per upright) and one every 0.5m along the top. Ensure that the netting is pulled taut between the poles. When you reach the door you can either run the netting over the door and secure or cut the netting and cover the door on its own. The 'roof' netting needs to be pulled out to its full width then laid over the top of the cage and secured with the net clips linking through both nettings.

(Please Note: If due heavy forecast of snow please remove roof netting beforehand.)